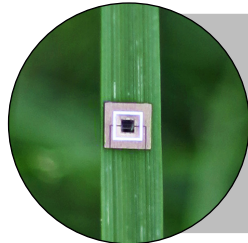


Automate UV treatment simply with the  
flow of water



Flow sensor package allows for the full benefits of LEDs with instant on/off and unlimited cycling.



Utilizes small, state of the art UV-C LEDs to provide over 99.99% pathogen reduction<sup>1</sup> without the use of harmful chemicals or mercury-based UV lamps.



Advanced patented design featuring UVinaire® LED module. Easy product integration with continuous monitoring and optional UV PulseCare™.



Full in-house optical, electrical, and mechanical design capabilities. ISO 9001:2015 certified manufacturing facility located in Kentucky, USA.



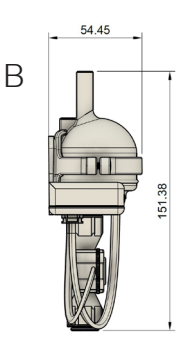
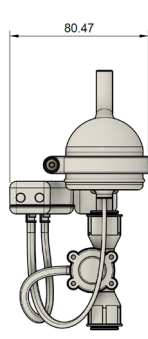
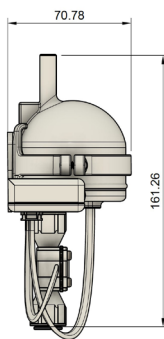
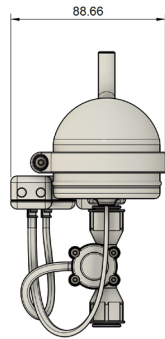
Component

This PearlAqua Micro is Tested and Certified by NSF International against NSF/ANSI Standard 55 for materials and structural integrity requirements.

FEATURES	
Mercury Free	Low Power Consumption
Automated Start/Stop	UV PulseCare (optional)
Instantaneous On	Thermal Monitoring
Consistent Performance Across Water Temperature Range	

SPECIFICATIONS						
<i>Specifications provided as a guide. Variations possible based on customer requirements.</i>						
Product Name		PearlAqua Micro				
Model Number		3B	6B	9C	12C	
Max Flow <sup>1</sup> [lpm (gpm)]	UV Dose (mJ/cm <sup>2</sup> )	10	1.2 (0.3)	2.0 (0.5)	5.3 (1.4)	8.0 (2.1)
		16	On Request			
		40				
Headloss at Max Flow [mbar (psi)]		160 (2.3)	250 (3.6)	681 (9.9)	1310 (19)	
Inlet/Outlet Water Connection		Inlet: 3/8" Male Push-to-fit			Outlet: 3/8" Stem	
Weight [g (oz)]		146 (5.15)		231 (8.15)		
Max Operating Pressure <sup>2</sup> [bar (psi)]		8.3 (120)				
Environmental Protection		IP45 (Standalone PearlAqua Micro - IP68)				
Lamp Life <sup>3</sup> [hours]		60 months @ 2.5 hours/day [5,000 hours]				
Max Ambient Temp [°C (°F)]		45 (113)				
Fluid Temperature [°C (°F)]		0-45 (32-113)				
Input Voltage [V DC]		12				
Input Power <sup>3</sup> [W]		4	6	9	12	

NOTES
<sup>1</sup> 3rd party bioassay tested with T1 Phage and MS-2 Phage at 98% UV-T with reference to 254 nm. Not verified or tested by NSF International
<sup>2</sup> 3rd party tested at 2.4x greater, 19.8 bar (288 psi) at temperature 19 °C (67 °F)
<sup>3</sup> Dependent on product configuration and application
Specifications subject to change

DIMENSIONS			
			
measurements in mm			